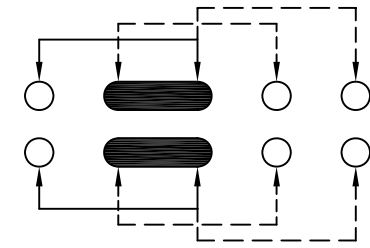
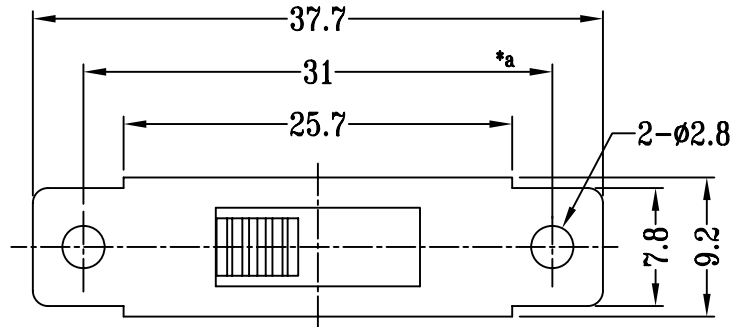
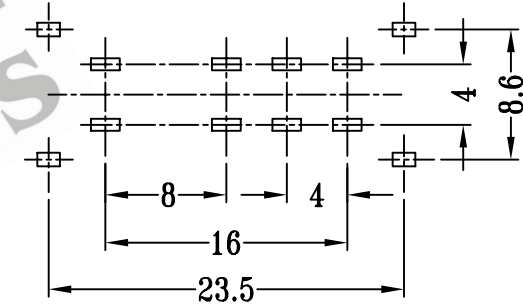
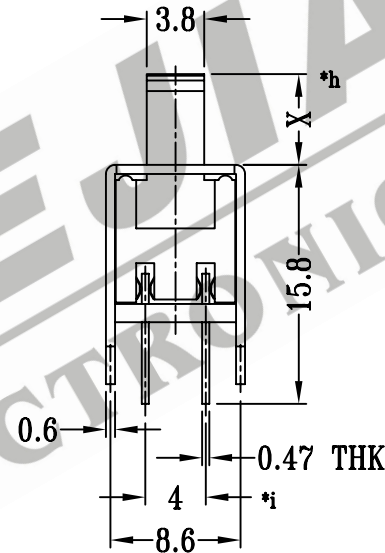
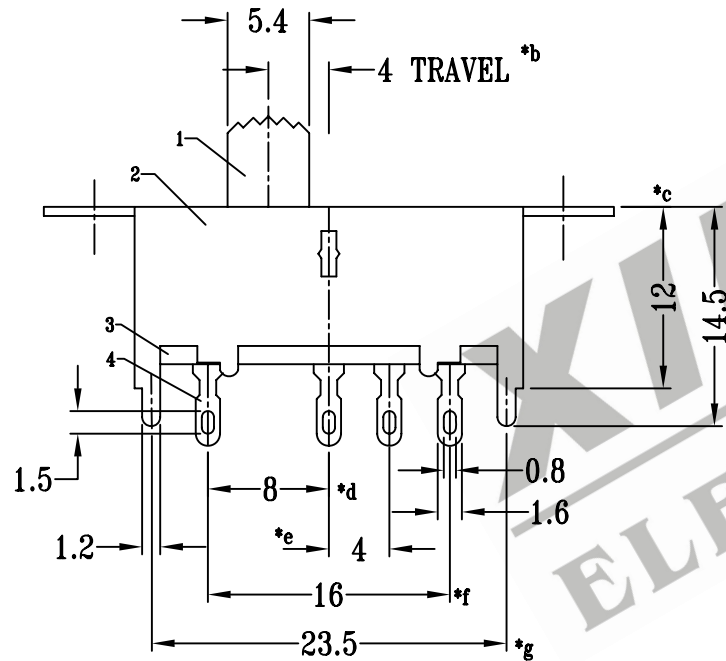


CAD FILE:



SCHEMATIC (SHORTING)



P.C.B LAYOUT

注:带"*"表示关键尺寸(9个)

| NO. | PARTS | MATERIALS | QTY | FINISH | TOLERANCE UNLESS SPECIFIED | SHENZHEN XIEJIA ELECTRONICS CO.,LTD. | | | | |
|-----|--------------|----------------|-----|--------------------------|---|--------------------------------------|----------------------------|--------------------------|-----------|------|
| 8 | | | | | | ISSUE | DATE | DESCRIPTIONS OF REVISION | | APPD |
| 7 | CONTACT CLIP | PBS STRIP | 2 | Ag PLATED | WITHIN: 1.5±0.1mm OVER: 1.5±0.2mm | | | | | |
| 6 | STEEL BALL | STEEL | 2 | NATURAL | | | | | | |
| 5 | SPRING | STEEL WIRE | 1 | TEMPER | | | | | | |
| 4 | TERMINAL | BRASS STRIP | 8 | Ag PLATED OVER Ni PLATED | TITLE: VERTICAL SLIDE SWITCH | UNIT: mm | DRWG NO.: XJ-DR-SS23H13-00 | | | |
| 3 | BASE | PHENOLIC RESIN | 1 | BLACK | MODEL: SS-23H13 | SCALE: 2:1 | DWN | ZHOUYU | 2001-8-10 | |
| 2 | FRAME | STEEL STRIP | 1 | Ni PLATED | | | CHK'D | FANGYING | 2001-8-10 | |
| 1 | KNOB | POM | 1 | BLACK | | | APPD | KANGXINAN | 2001-8-10 | |
| | | | | | ALL MATERIALS MUST BE COMPLIANT TO ROHS | | | | | |